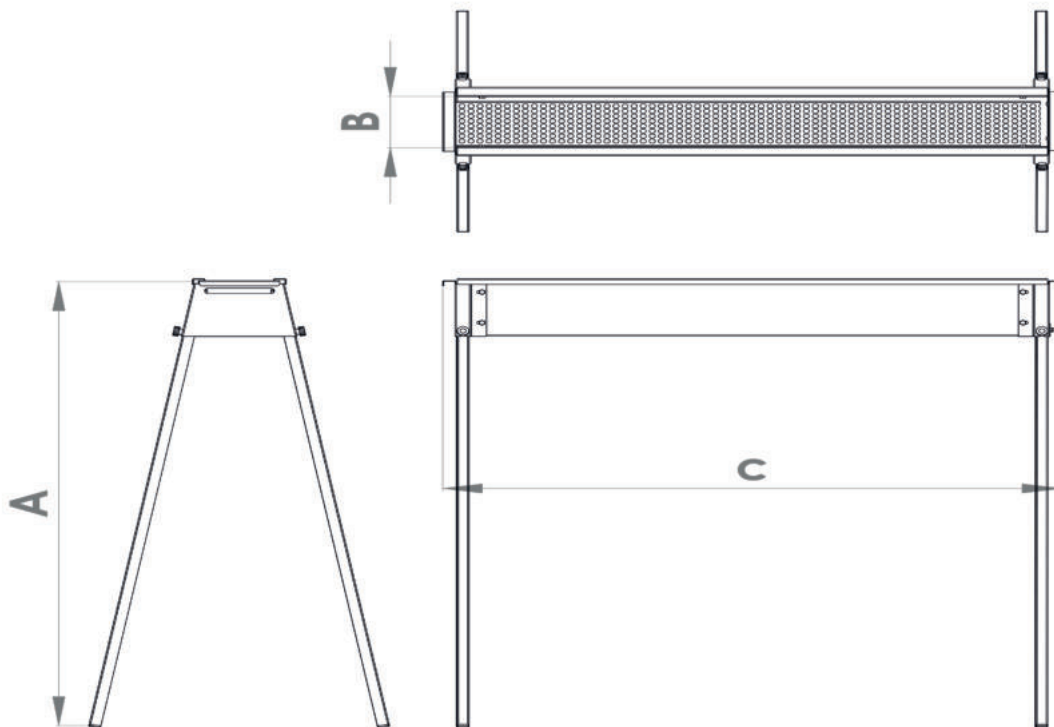




Scheda Tecnica / Technical Specifications

AUTOMATIC COOKING ARROSTICINI & SKEWERS

SERIE OLD/ OLD SERIES



SERIE OLD / OLD SERIES

Caratteristiche dimensionali / Dimensional characteristics	Modello / Model	TRO-50	TRO-100	TRO-150	TRO-200
(A) Altezza / Height (mm)		20			
(B) Larghezza / width (mm)		60			
(C) Lunghezza / Length (mm)		500	1.000	1.500	2000
Peso / Weight (kg)		5	8	15	20



TECNOSTAF S.r.l.
MECHANICAL PRECISION MACHINING

Cda Solagne, 2
66040 Roccasalagna (CH) - Italy
Tel / Fax: (+39) 0872 987026
E-mail: info@tecnoroast.com

www.tecnoroast.com

MADE IN ITALY

